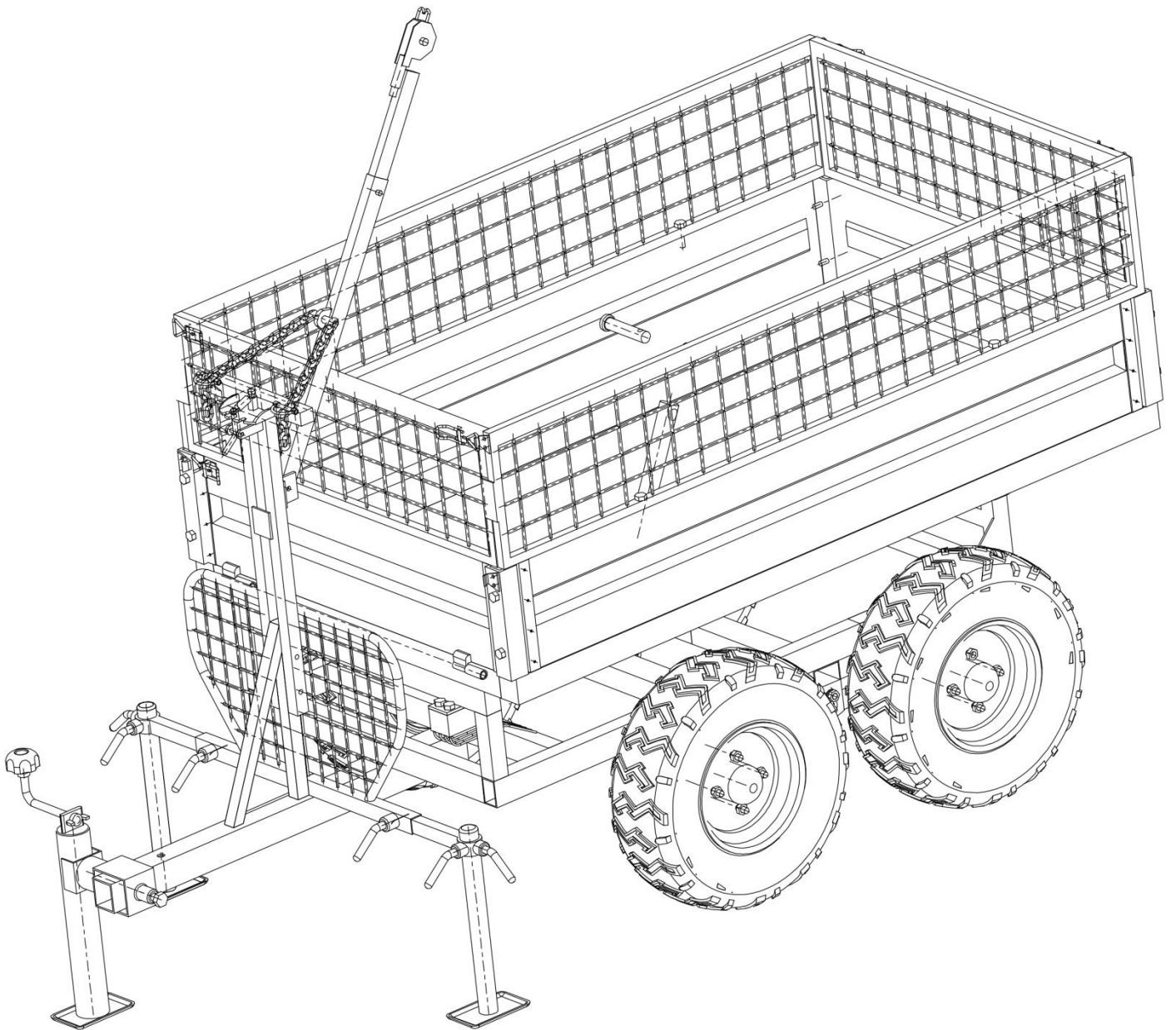




METALCRAFT

ATV trailer with Linear Actuator

TFA11- 8



Specific Warnings and Precautions for the linear actuator

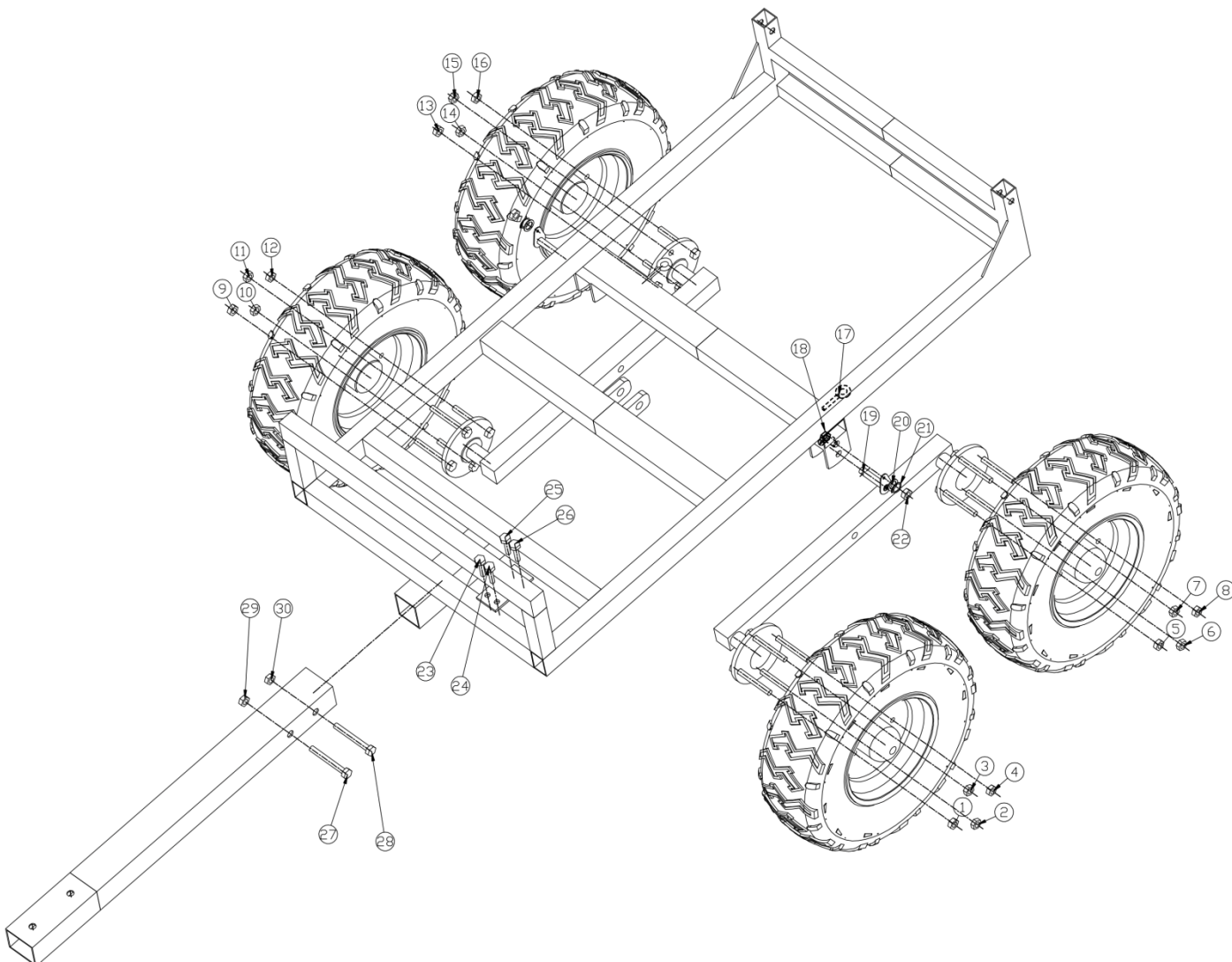
1. Read through and understand the manual before using the linear actuator.
2. Connect the plug with an ATV or UTV trailer to make the linear actuator work.
3. Make sure the motor has fully stopped before changing directions. If you change directions when the motor is running, it may damage the motor.
4. Do not attempt to extend or retract linear actuator by hand. This could damage the actuator.
5. Do not exceed the rated load capacity (Maximin 1000kg) of the linear actuator.

ASSEMBLY INSTRUCTIONS

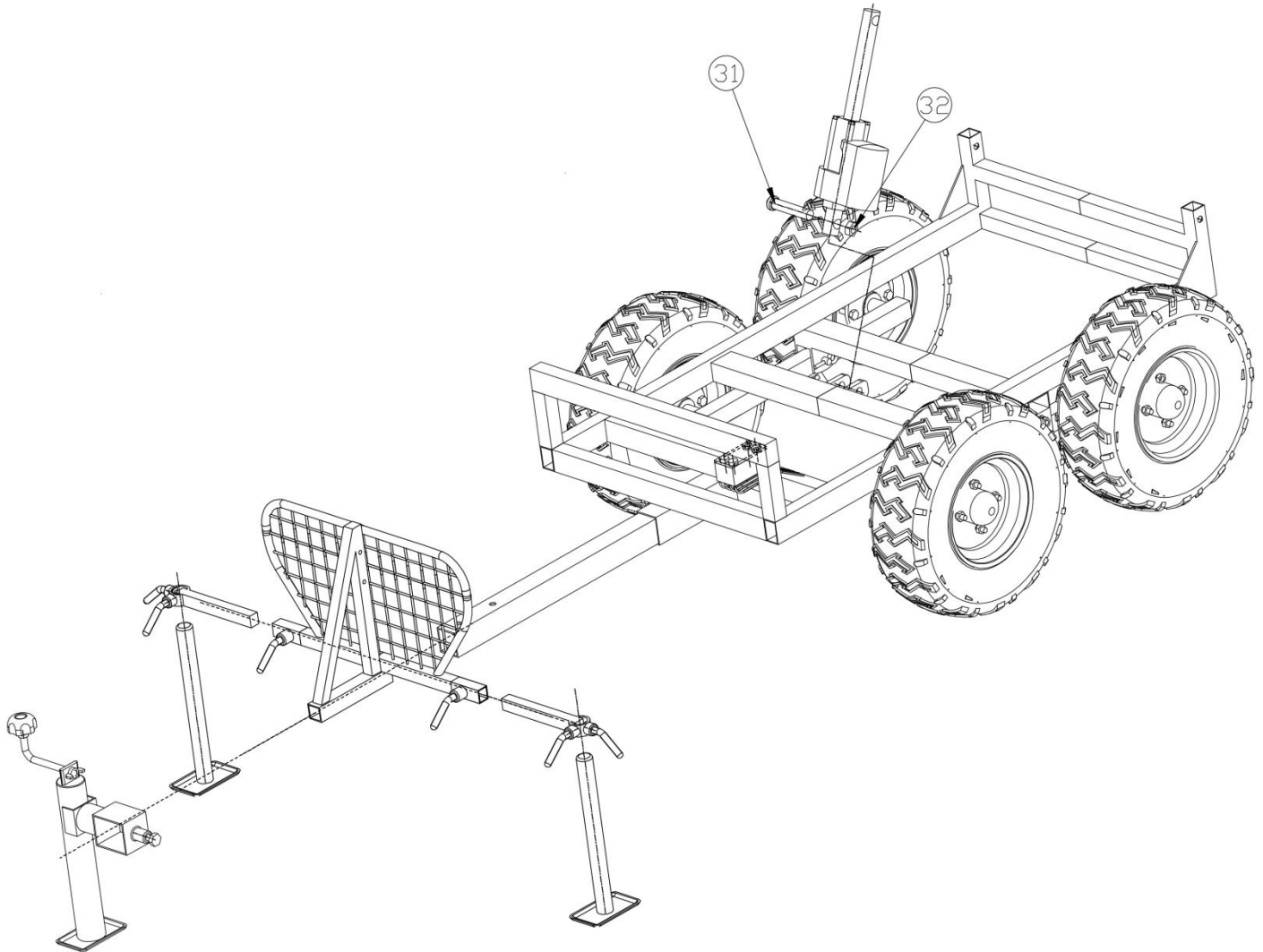
Tools needed – An adjustable wrench

IMPORTANT ASSEMBLY TIP: Do not tighten any nut and bolt combinations completely until all parts are assembled together! Finger tighten plus one turn of a wrench only! This will temporarily hold the lock nut on the bolt while helping alignment of all parts! After all parts are assembled together, all nut & bolt combinations must be completely tightened.

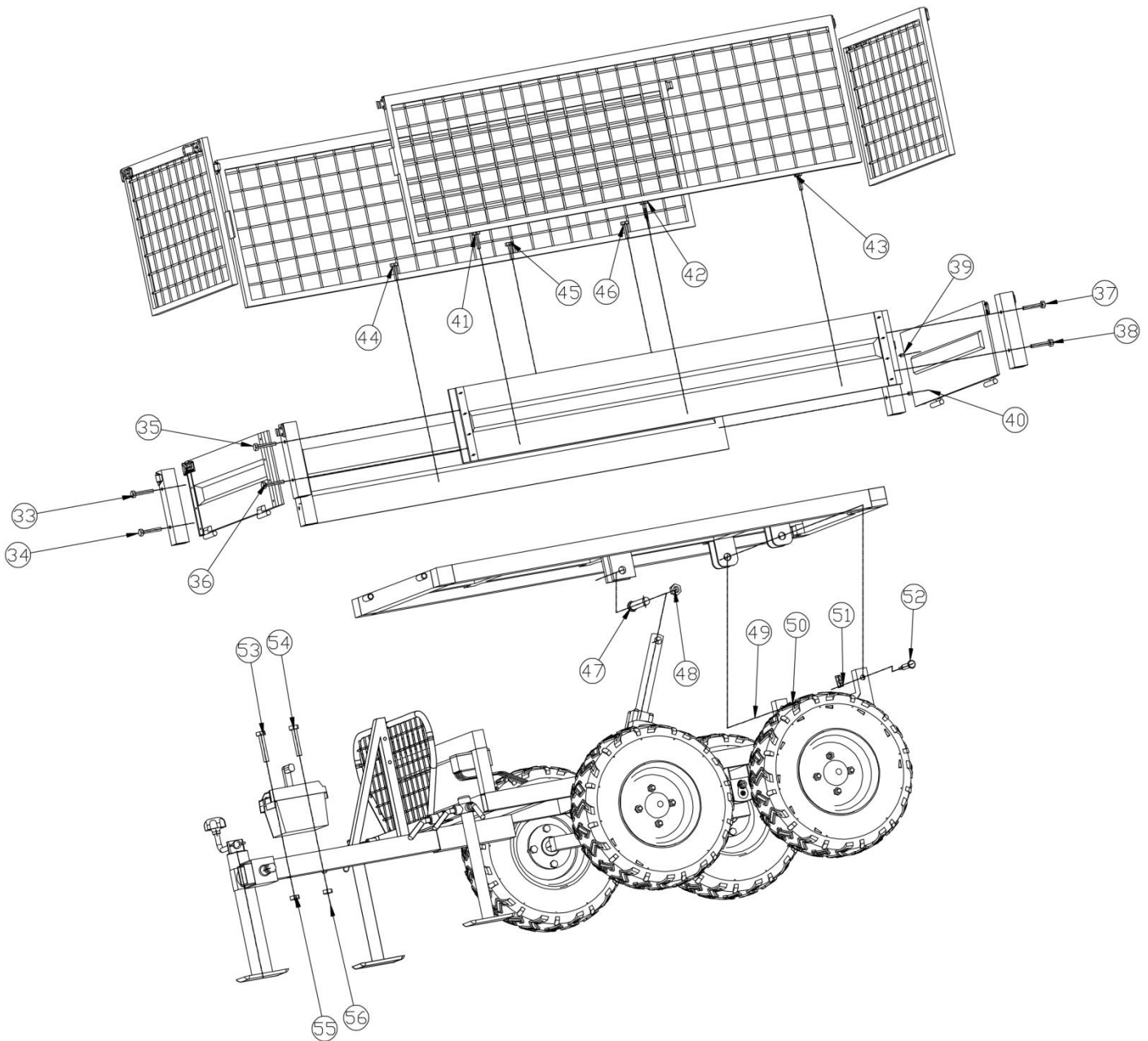
1. Install the frame and shaft together, using 2-M12*70 bolt, 2-M12 nut, 2-M8*30bolt, 2-M8 nut, 2- \varnothing 8 washer, \varnothing 8 spring washer, 2- \varnothing 5*50 pin roll "R" dowel pin, then flip the frame, install the tires, make the nozzle outside, and tighten with 16-M12 wheel hub nut, tighten all the bolt & nuts. Mount the rob, using 2-M16*50 bolt, 2-M16nut. **SEE FIGURE 1.**



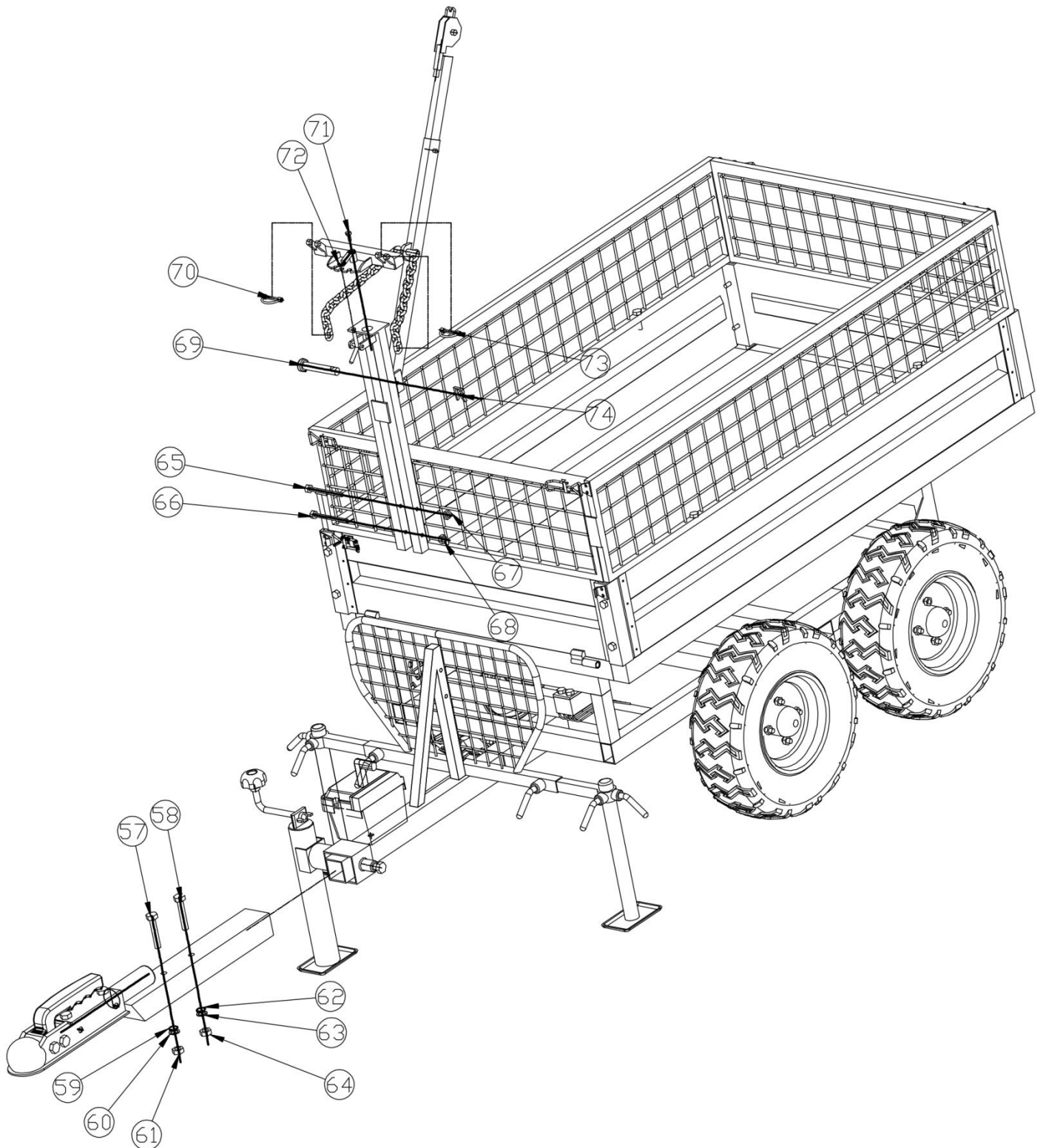
2. Install the net frame &the jack, then install the stanchion, using 2-M16*50 bolt, M6 nut. Tighten the nut after adjusting to the appropriate position. Install the linear, using $\varnothing 12*70$ bolt M12 nut, install the capacity seat plate with 4- $\varnothing 8* 20$ bolt, M8 nut, Install the tool box with 2 - $\varnothing 6*20$ bolt, M6 nut. **SEE FIGURE 2.**



3. Install the car floor, using 2- M16*80 bolt, 2-M16 nut, Install the linear, using $\varnothing 12 \times 70$ bolt M12 nut, Install the four columns & two side plates, using 8-M10*55 bolt 8-M10 nut, install the front and the rear doors, then use a quick fixture to fix the other side of the doors. Install the fence on each side with 3- $\varnothing 8 \times 30$ bolt, M8 nut, use a quick fixture to fix the fences. **SEE FIGURE 3.**



4. Install the crane, using 2-M14*140 bolt, M14nut, install the rotating parts with the hanger, using M20 nut, $\varnothing 20$ washer, $\varnothing 20$ washer, $\varnothing 16$ spring, adjust the chain length, using 2-D pin. Install the rotating parts, using 2- M10*80 bolt,2-M10 nut, 2- $\varnothing 10$ washer, 2- $\varnothing 10$ spring washer, 2- $\varnothing 16$ bolt sleeve. **SEE FIGURE 4.**



 **WARNING**

READ, UNDERSTAND AND FOLLOW ALL ASSEMBLY, INSPECTION, MAINTENANCE & USE INSTRUCTIONS PROVIDED BEFORE EACH USE. FAILURE TO FOLLOW ALL WARNINGS AND INSTRUCTIONS COULD RESULT IN SERIOUS INJURY OR DEATH.

DOUBLE CHECK THE ASSEMBLY OF YOUR TRAILER TO BE SURE YOU ASSEMBLED IT CORRECTLY AND ALL NUTS & BOLTS ASSEMBLIES ARE TIGHTENED BEFORE INITIAL USE.


BE SURE TO PERIODICALLY CHECK ALL NUTS AND BOLTS FOR TIGHTNESS. OVER TIME, NUTS AND BOLTS MAY BECOME LOOSE FROM VIBRATION.


BE SURE TO ALWAYS HAVE THE CORRECT AMOUNT OF AIR PRESSURE IN TIRES. THIS WILL HELP DETER FROM UNNECESSARY WEAR AND/OR DAMAGE. AIR PRESSURE CAN BE FOUND ON SIDEWALL OF TIRE. NEVER DRIVE ON HILLY TERRAIN - EXCESSIVE WEIGHT CAN CAUSE WEIGHT SHIFTS WHICH CAN LEAD TO LOSS OF CONTROL OF YOUR ATV AND/OR ATV TRAILER.

**DO NOT DRIVE IN EXCESS OF 10 MPH WHILE USING THIS PRODUCT.
NEVER ALLOW PEOPLE OR ANIMALS TO RIDE IN THE ATV TRAILER! IT IS NOT DESIGNED FOR THAT MATTER.
USE CAUTION NEAR TRAILER TILT LATCH. BE SURE LATCH IS ENGAGED BEFORE EACH USE.**

Never...

- Use excessive speed while towing trailer.
- Exceed the maximum load capacity of 1000KGS.
- Allow people or animals to ride in trailer.
- Use on hilly terrain.
- Use a damaged product.
- Use when intoxicated or using over-the-counter medication or prescription drugs.
- Use on rocky or obstacle ridden terrain.
- Use carelessly -- Think Safety!

 This item is designed for certain application only. The distributor cannot be responsible for issues arising from modification. We strongly recommend this item not be modified and /or use for any application other than that for which it was designed.

 **WARNING:** The warnings, cautions, and instructions discussed in this instruction manual cannot cover all possible conditions or situations that could occur. It must be understood by the operator that common sense and caution are factors which can't be built into this product, but must be supplied by the operator.

A11-8 ATV trailer Part List

NO.	DESCRIPTION	QTY
1	M12 wheel hub nut	1
2	M12 wheel hub nut	1
3	M12 wheel hub nut	1
4	M12 wheel hub nut	1
5	M12 wheel hub nut	1
6	M12 wheel hub nut	1
7	M12 wheel hub nut	1
8	M12 wheel hub nut	1
9	M12 wheel hub nut	1
10	M12 wheel hub nut	1
11	M12 wheel hub nut	1
12	M12 wheel hub nut	1
13	M12 wheel hub nut	1
14	M12 wheel hub nut	1
15	M12 wheel hub nut	1
16	M12 wheel hub nut	1
17	2-Ø5*50 dowel pin	2
18	2-M8*30 bolt	2
19	2-Ø50 pin roll	2
20	2-Ø8 washer	2
21	2-Ø8 spring washer	2
22	2-M8 nut	2
23	Ø8*20 bolt M8 nut	1
24	Ø8*20 bolt M8 nut	1
25	Ø8*20 bolt M8 nut	1
26	Ø8*20 bolt M8 nut	1
27	M16*50 bolt	1
28	M16*50 bolt	1
29	M16 nut	1
30	M16 nut	1
31	M12*70 bolt	1
32	M12 nut	1
33	M10*55 bolt M10 nut	1
34	M10*55 bolt M10 nut	1
35	M10*55 bolt M10 nut	1
36	M10*55 bolt M10 nut	1
37	M10*55 bolt M10 nut	1
38	M10*55 bolt M10 nut	1

NO.	DESCRIPTION	QTY
37	M10*55 bolt M10 nut	1
38	M10*55 bolt M10 nut	1
39	M10*55 bolt M10 nut	1
40	M10*55 bolt M10 nut	1
41	Ø8*30 bolt M8 nut	1
42	Ø8*30 bolt M8 nut	1
43	Ø8*30 bolt M8 nut	1
44	Ø8*30 bolt M8 nut	1
45	Ø8*30 bolt M8 nut	1
46	Ø8*30 bolt M8 nut	1
47	M12*70 bolt	1
48	M12 nut	1
49	"R" pin	1
50	Ø18*80 pin roll	1
51	"R" pin	1
52	Ø18*80 pin roll	1
53	M6*20 bolt	1
54	M6*20 bolt	1
55	M6 nut	1
56	M6 nut	1
57	M10*90 bolt	1
58	M10*90 bolt	1
59	Ø8 washer	1
60	Ø8 spring washer	1
61	M10 nut	1
62	Ø8 washer	1
63	Ø8 spring washer	1
64	M10*10 nut	1
65	M14*140 bolt	1
66	M10*10 nut	1
67	M14 nut	1
68	M14 nut	1
69	M16*110 bolt	1
70	D-pin	1
71	M20 nut	1
72	Ø16 spring	1
73	D-pin	1
74	"R"-pin	1